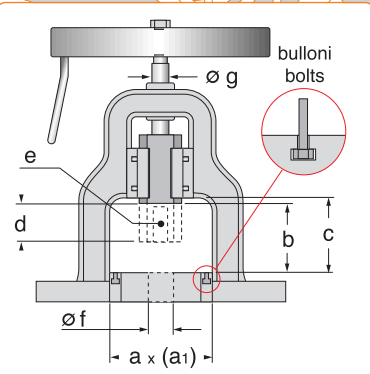


QUALITY SYSTEM
ISO 9001

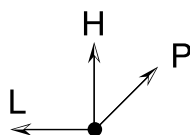
Bilanceri arco chiuso con volano

Close arch hand presses with flywheel

B/ac



Dimensioni
Dimensions



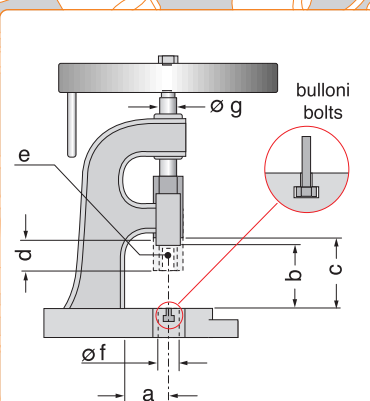
mm

	L	P	H
35-AC	410	410	670
40-AC	500	500	750
50-AC	520	520	750
60-AC	800	580	830
80-AC	1070	1140	1180

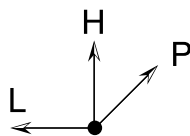


Modello / Model	35-AC	40-AC	50-AC	60-AC	80-AC
Articolo / Item	P125000	P126000	P128000	P129000	P130000
Forza (max) / Force (max)	3.800 kg	5.000 kg	7.800 kg	11.200 kg	20.000 kg
a x a1	mm 165 x 170	mm 250 x 255	mm 295 x 320	mm 380 x 360	mm 520 x 520
b	mm 120	mm 200	mm 220	mm 235	mm 400
c	mm 140	mm 225	mm 240	mm 255	mm 450
d	mm 70	mm 85	mm 150	mm 160	mm 240
e	mm ø 16 x 32	mm ø 16 x 32	mm ø 20 x 40	mm ø 25 x 50	mm ø 35 x 70
ø f	mm 45	mm 55	mm 75	mm 85	mm 100
ø g	mm 35	mm 40	mm 50	mm 60	mm 80
Bulloni / Bolts	14	14	15	16	18
Peso / Weight	38 kg	80 kg	150 kg	235 kg	480 kg

B/aa



Dimensioni
Dimensions



mm

	L	P	H
25-AA	400	470	410
35-AA	430	470	430
40-AA	450	470	530
50-AA	520	600	750
60-AA	570	750	830

Bilanceri arco aperto con volano

Open arch hand press with flywheel



Modello / Model	25-AA	35-AA	40-AA	50-AA	60-AA
Articolo / Item	P115000	P117000	P118000	P120000	P121000
Forza (max) / Force (max)	980 Kg	1.900 Kg	2.500 Kg	3.900 Kg	5.600 Kg
a (mm)	65	65	70	135	160
b (mm)	110	120	140	205	235
c (mm)	125	140	165	240	250
d (mm)	70	70	80	155	160
e (mm)	mm ø 16 x 32	mm ø 16 x 32	mm ø 16 x 32	mm ø 20 x 40	mm ø 25 x 50
ø f (mm)	38	45	55	75	85
ø g (mm)	25	35	40	50	60
Tavola / Table (mm)	130 x 160	125 x 205	150 x 40	270 x 350	310 x 400
Bulloni / Bolt	M13	M11	M11	M15	M16
Peso / Weight	22 Kg	34 Kg	55 Kg	150 Kg	220 Kg